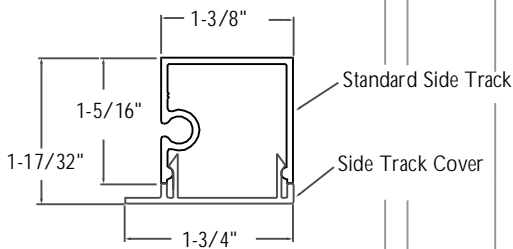


# EXECUTIVE DESIGN SPECIFICATIONS - MANUAL SYSTEM WITH STANDARD SIDE TRACK (V2A) (External Assembled View)

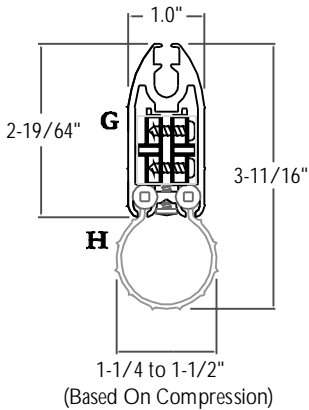
FOR ILLUSTRATION PURPOSES - NOT DRAWN TO SCALE

## Parts Spec

- A Housing Assembly:  
(5-1/2" W x 5-1/2"H)
- B #8 x 1" Corrosion Resistant Fastener (Color Matched)  
3 Fasteners per End Cap
- C PVC Coated Fiberglass Mesh  
or other - see Mesh Specifications
- D Standard Side Track (V2A) c/w Cover (1-3/4" W x 1-17/32" D)
- E #8 or #10 Corrosion Resistant Fastener  
Type and length of screws may  
vary depending on type of mounting surface
- F Slide Bar c/w Probe Assembly
- G Bottom Seal - 4" Shown (Other Options Available)

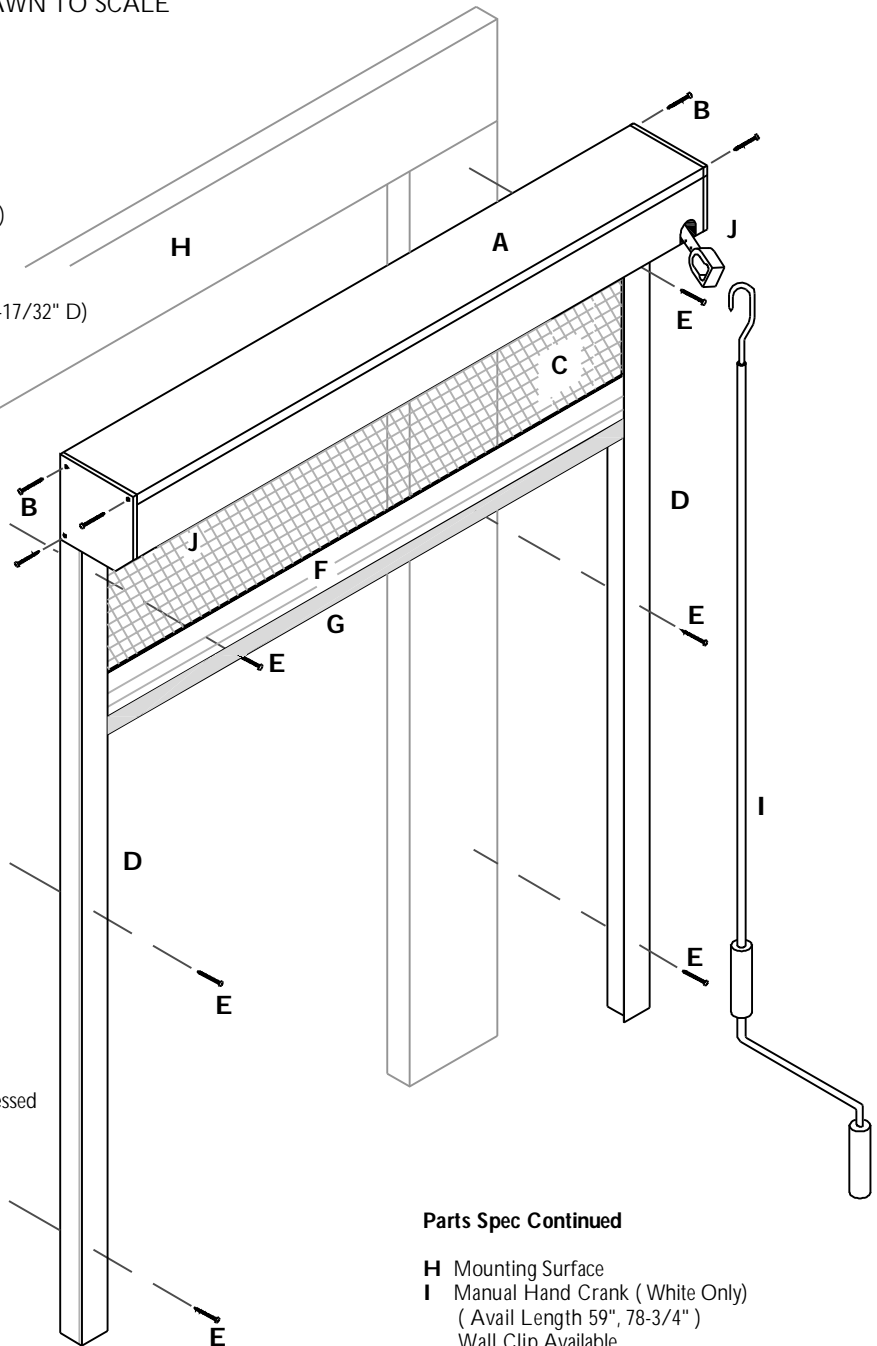


**CROSS SECTIONAL VIEW  
OF THE  
STANDARD SIDE TRACK (V2A)**



**CROSS SECTIONAL VIEW  
OF THE  
SLIDE BAR AND  
4\"/>**

(Overall Height Of The  
Slide Bar And Bottom  
Seal In A "Non-Compressed  
State")



## Parts Spec Continued

- H Mounting Surface
- I Manual Hand Crank (White Only)  
(Avail Length 59", 78-3/4")  
Wall Clip Available
- J Eye and Shaft for 11/1 Manual Gear  
Right Hand Mount Shown (Standard)  
Left Hand Mount Option Available