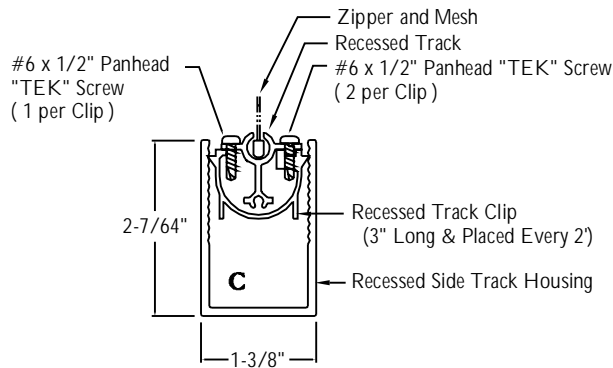


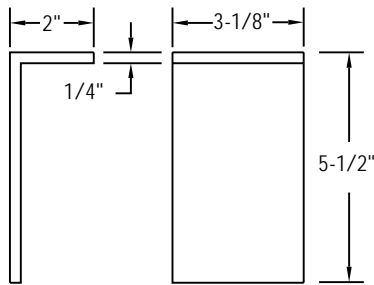
Executive Design Specifications- System With Recessed Side Track SOMFY LT50 (External Assembled View)

FOR ILLUSTRATION PURPOSES ONLY - ONLY CROSS SECTIONS DRAWN TO SCALE

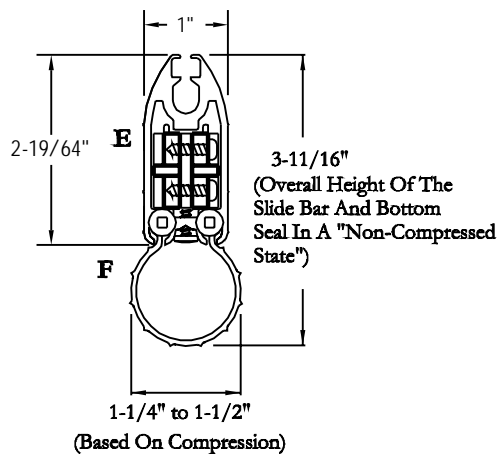


**CROSS SECTIONAL VIEW
OF THE FULLY ASSEMBLED
RECESSED SIDE TRACK (V3)**

(Scale: 1:1)

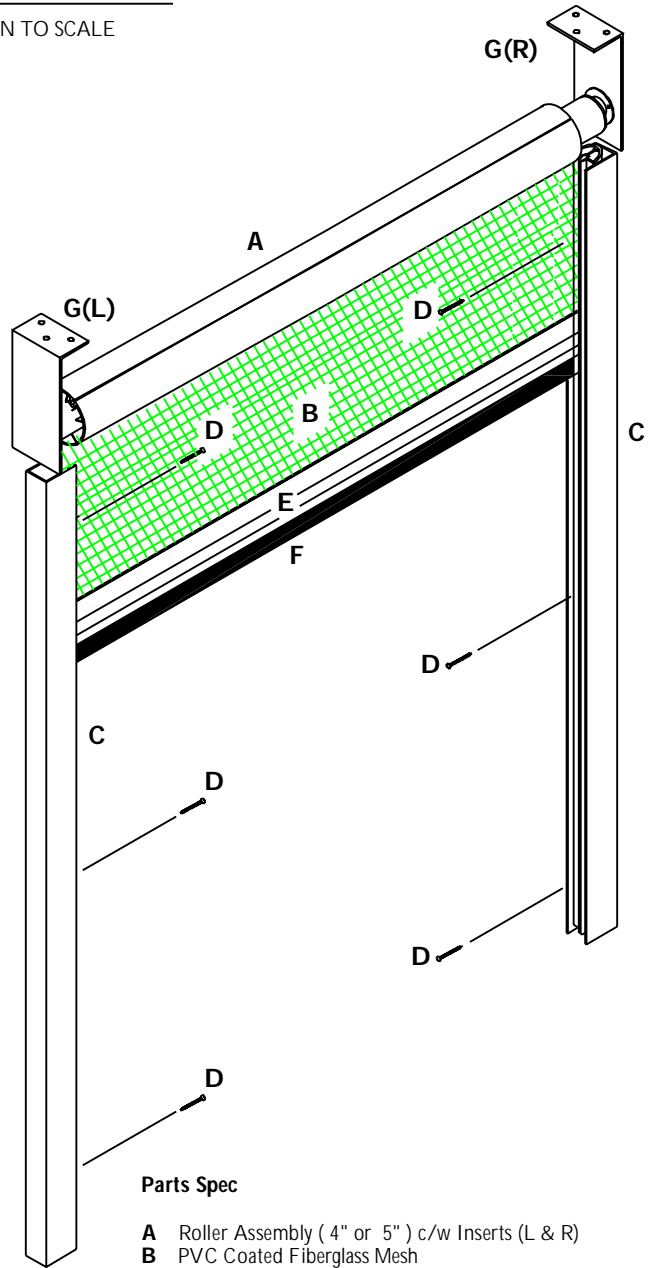


**ROLLER MOUNTING ANGLE
FOR 4" and 5" ROLLERS**
(Not Drawn To Scale)



**CROSS SECTIONAL VIEW
OF THE
SLIDE BAR AND
4" BOTTOM SEAL**

(Scale: 1:1)



Parts Spec

- A** Roller Assembly (4" or 5") c/w Inserts (L & R)
- B** PVC Coated Fiberglass Mesh
or other - see Mesh Specifications
- C** Recessed Side Track Assembly (1-3/8"W x 2-7/64"D)
- D** #8 or #10 Corrosion Resistant Fastener
Type and length of screws may
vary depending on type of mounting surface
(Minimum of 3 per Side Track and Roller Mounting Angle)
- E** Slide Bar c/w Probe Assembly
- F** Bottom Seal - 4" Shown (Other options available)
- G** Roller Mounting Bracket (2" x 5-1/2" x 1/4" x 3-1/8" W)

All components are color matched except Mesh, Rivets, and Bottom Seal.

Creator: NDR	Date: 04/09/2010	Revision: Rev:
Drawing Title: PSEXECPRODDDESIGNSPEC07(A)		
© 2010 Phantom Mfg. Intl Ltd.		Scale: As Shown